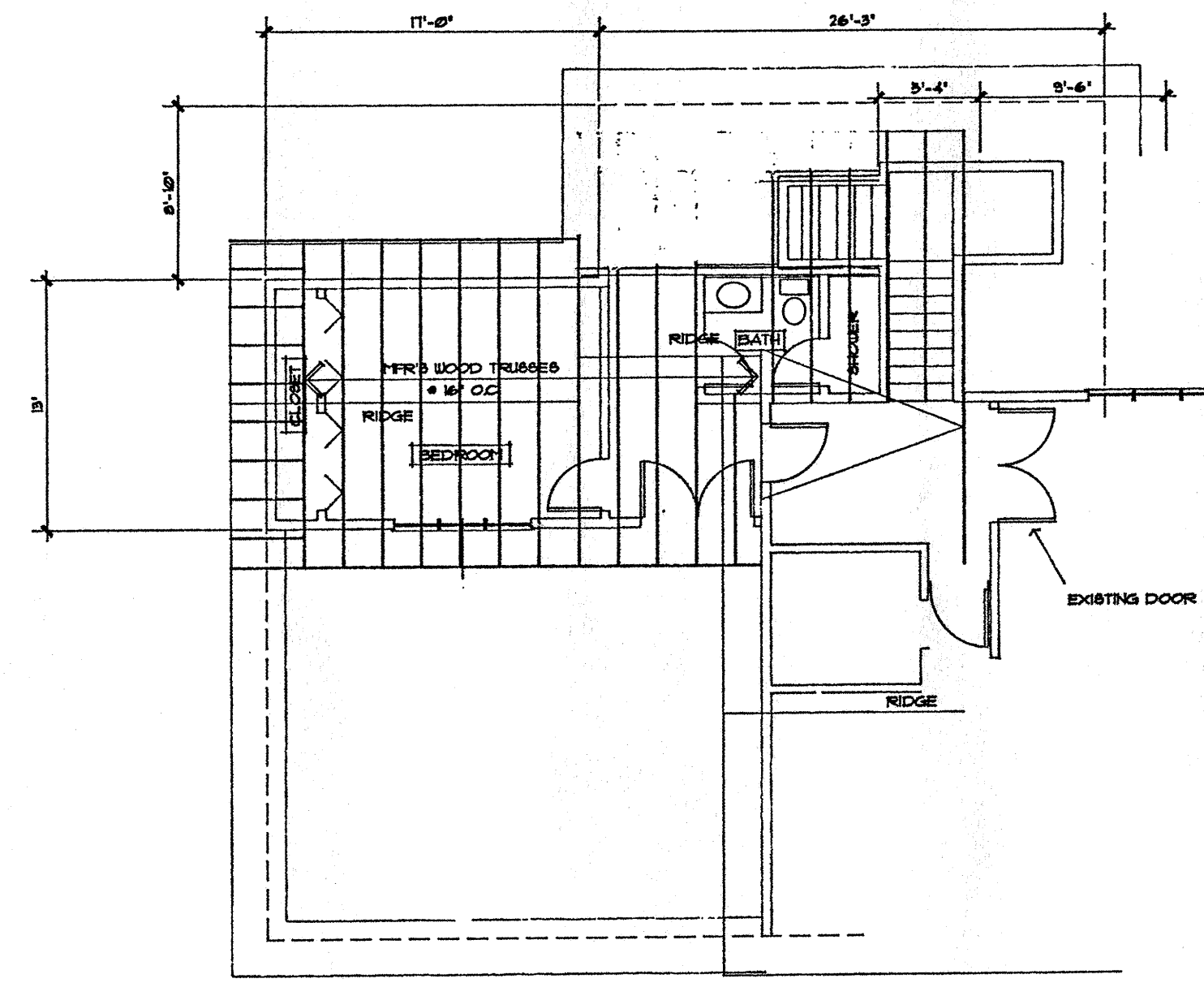
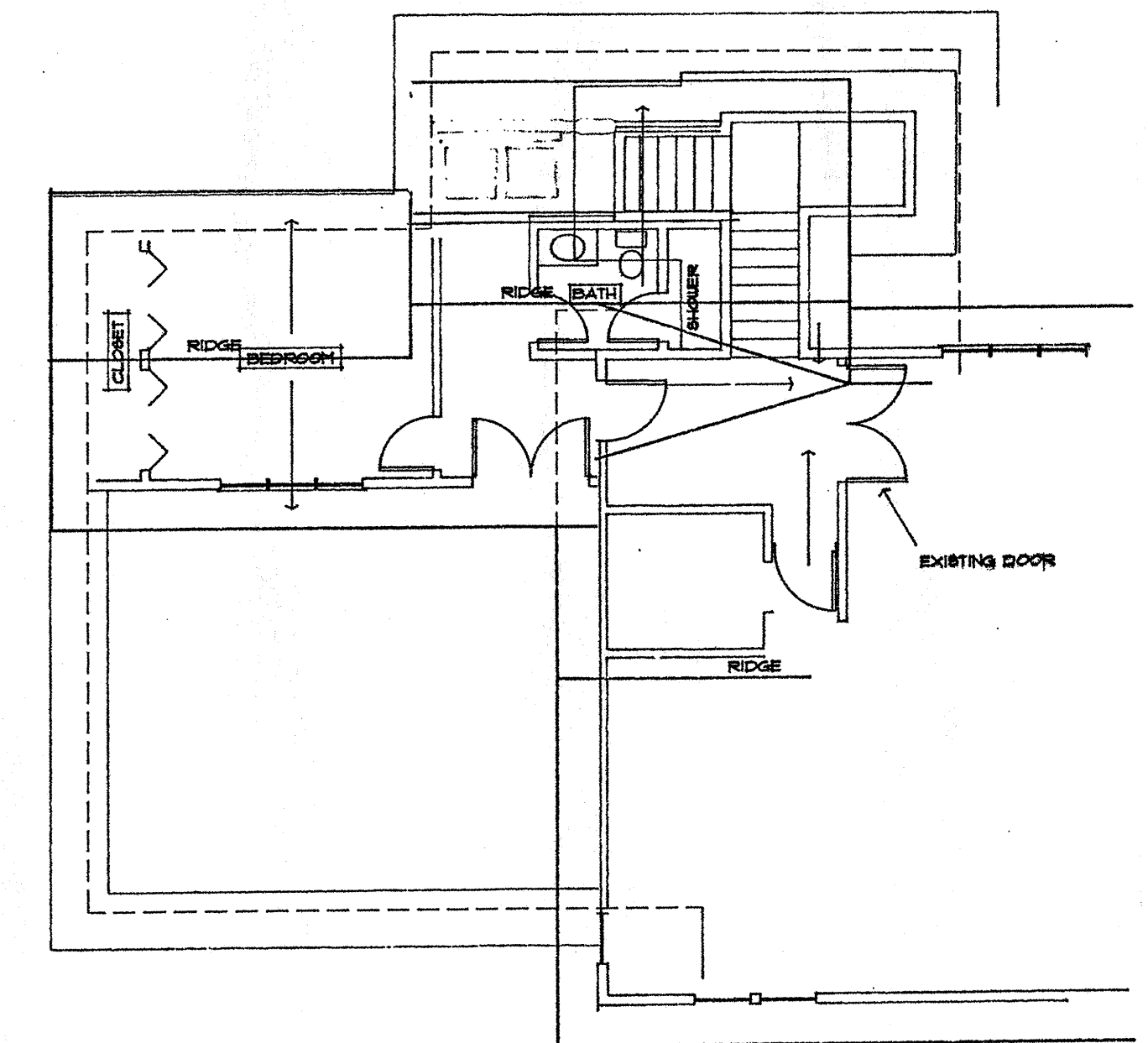


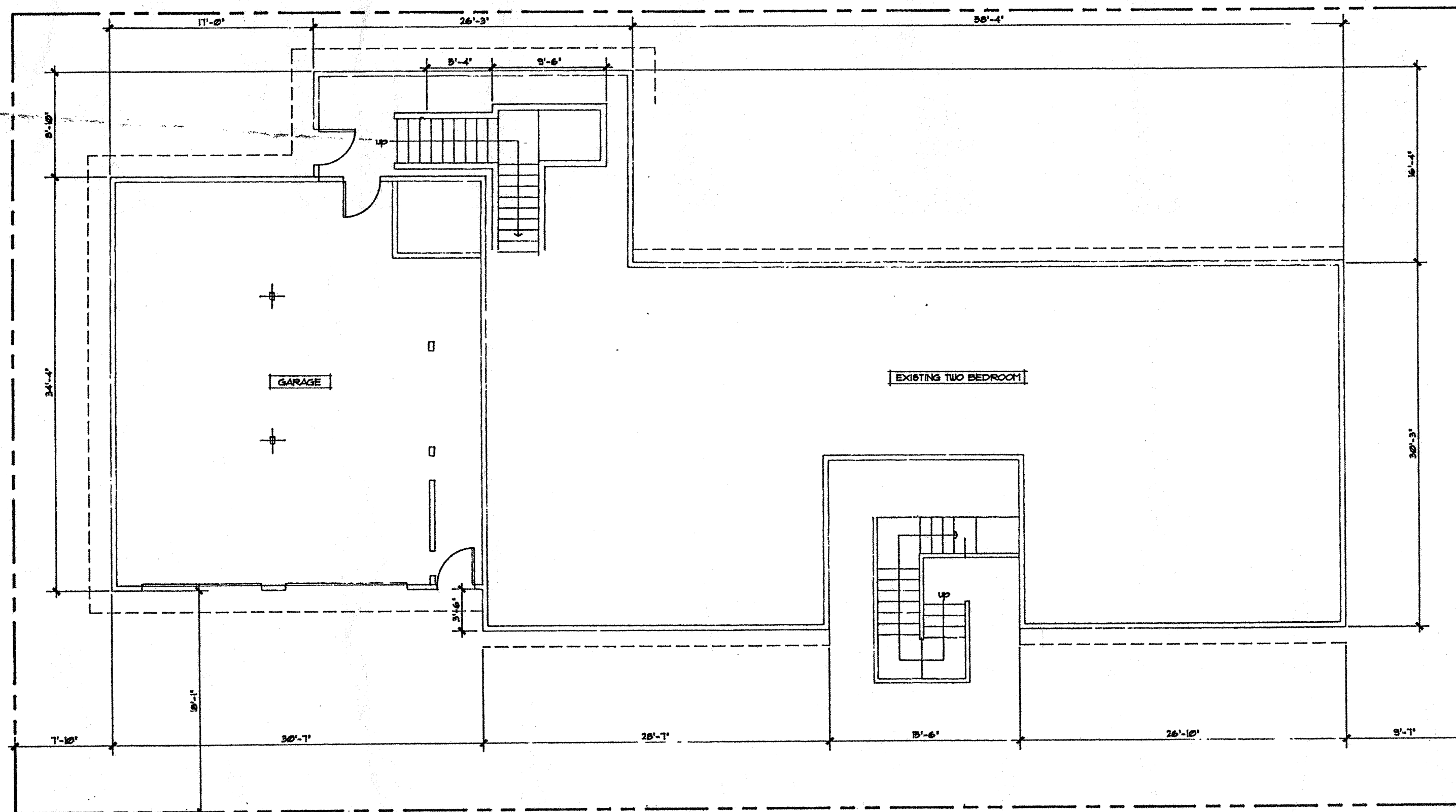
SECOND FLOOR PLAN



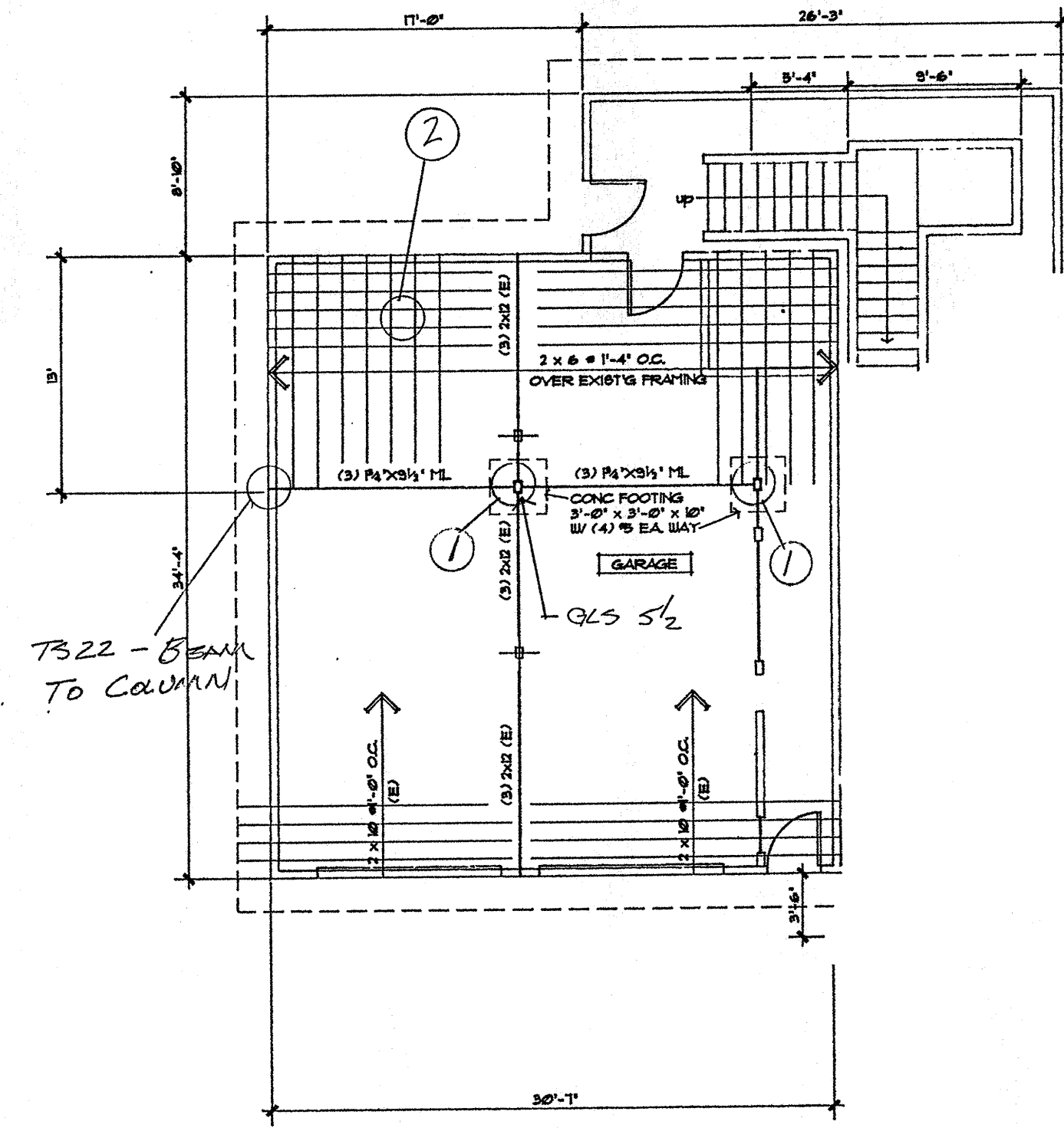
ROOF FRAMING PLAN



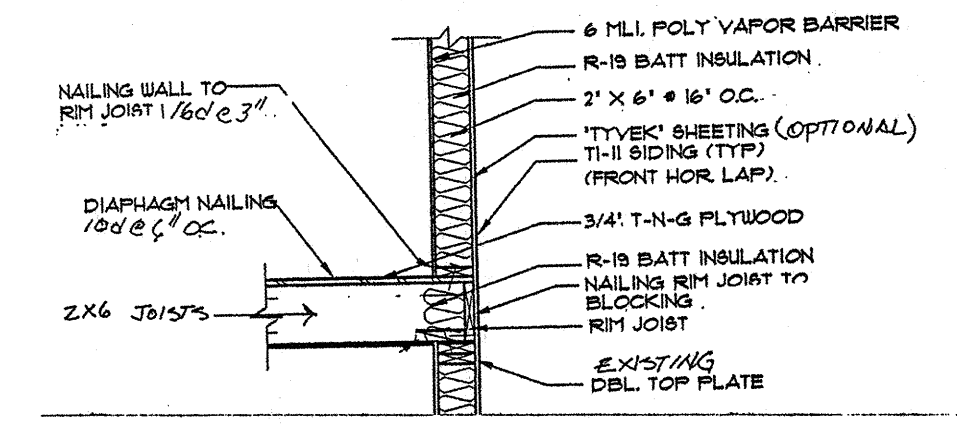
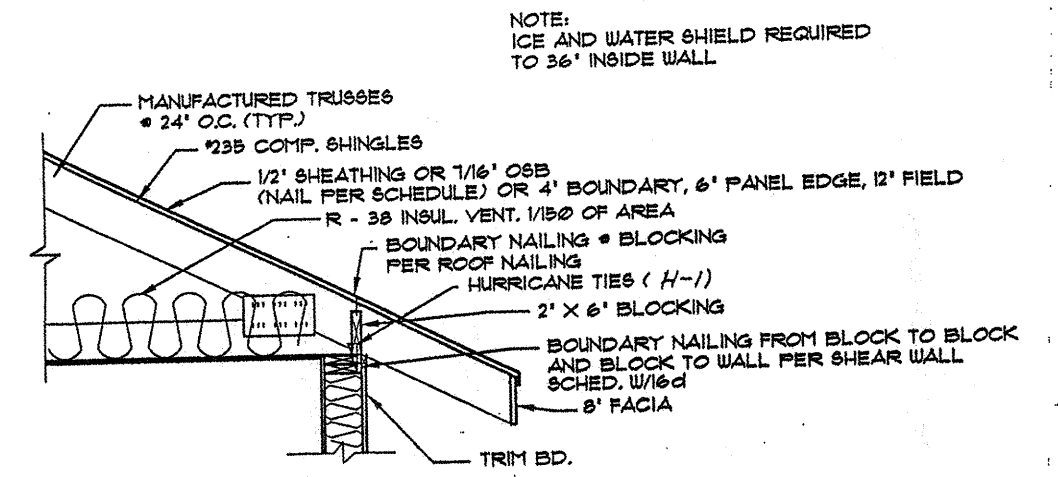
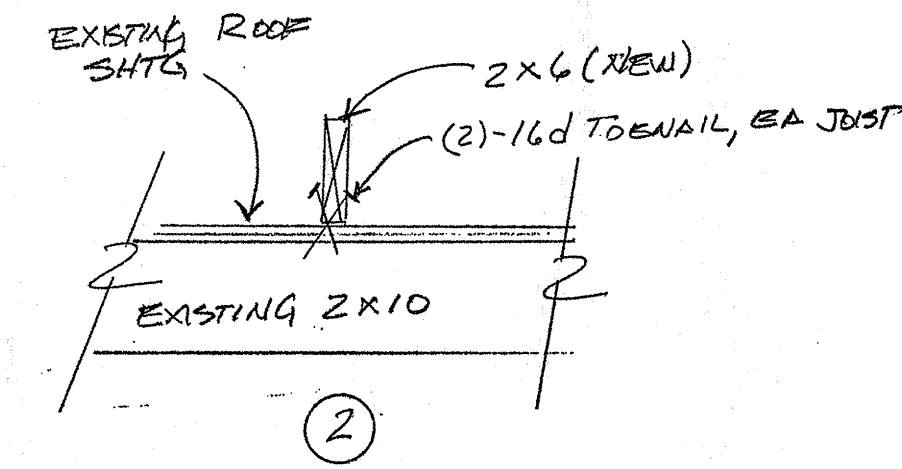
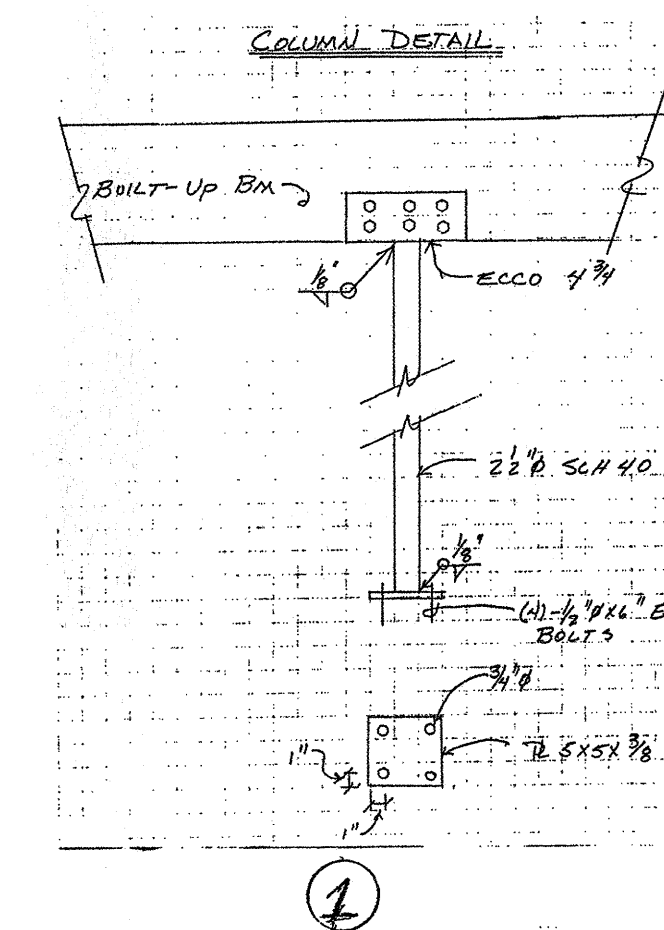
ROOF PLAN



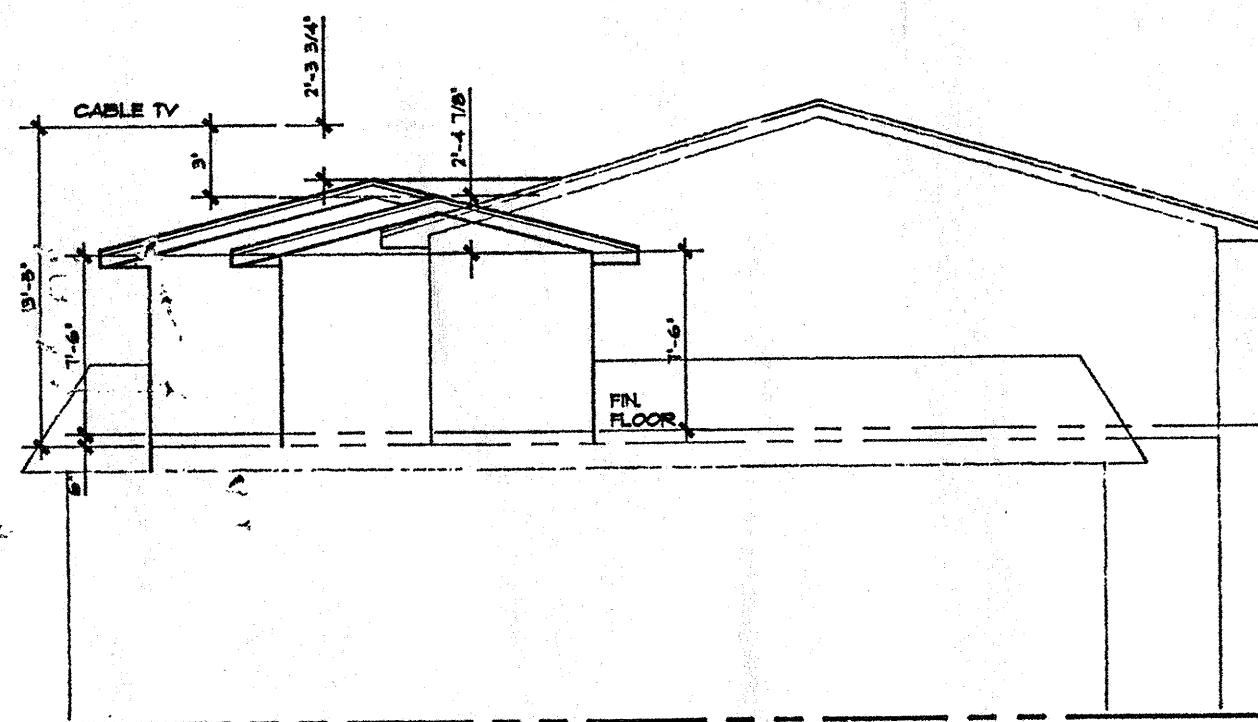
FIRST FLOOR PLAN



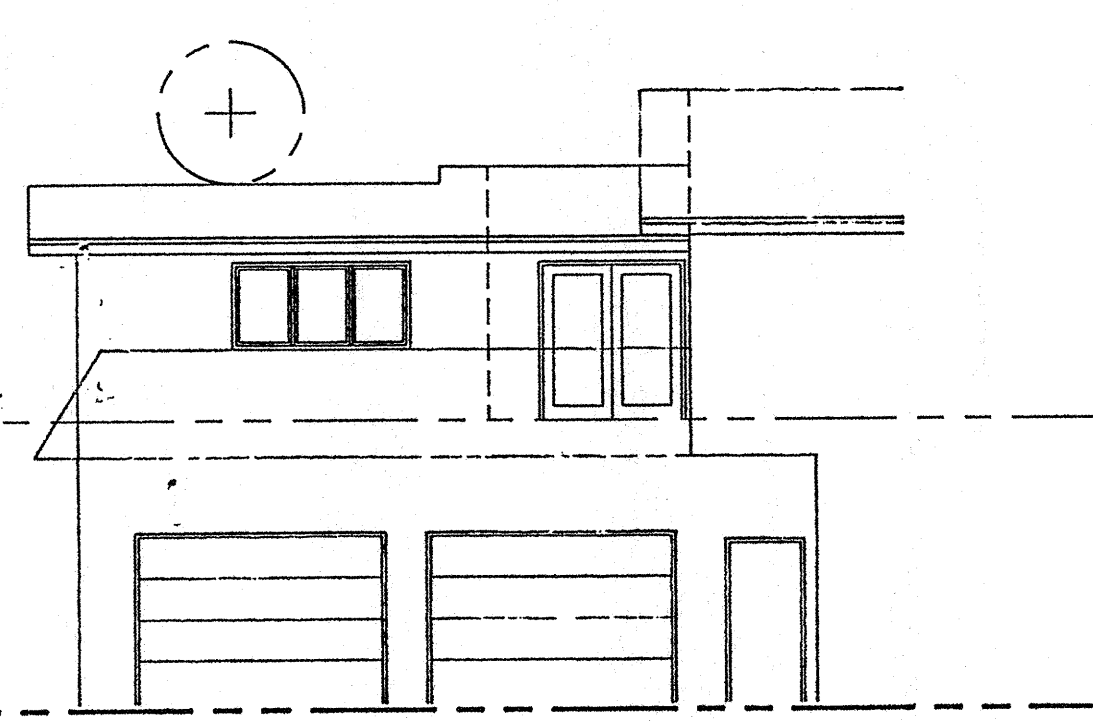
SECOND FLOOR FRAMING PLAN



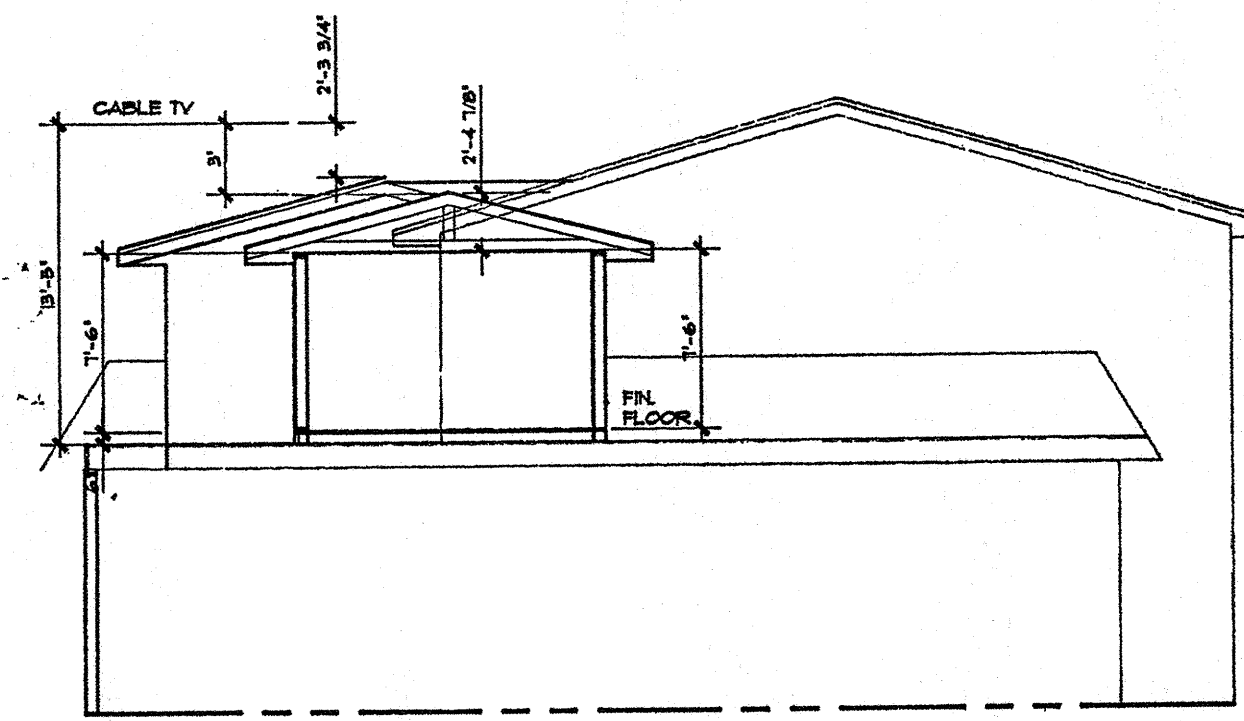
NOTES
 1. TYPICAL HEADER
 2. 2X12 UNO



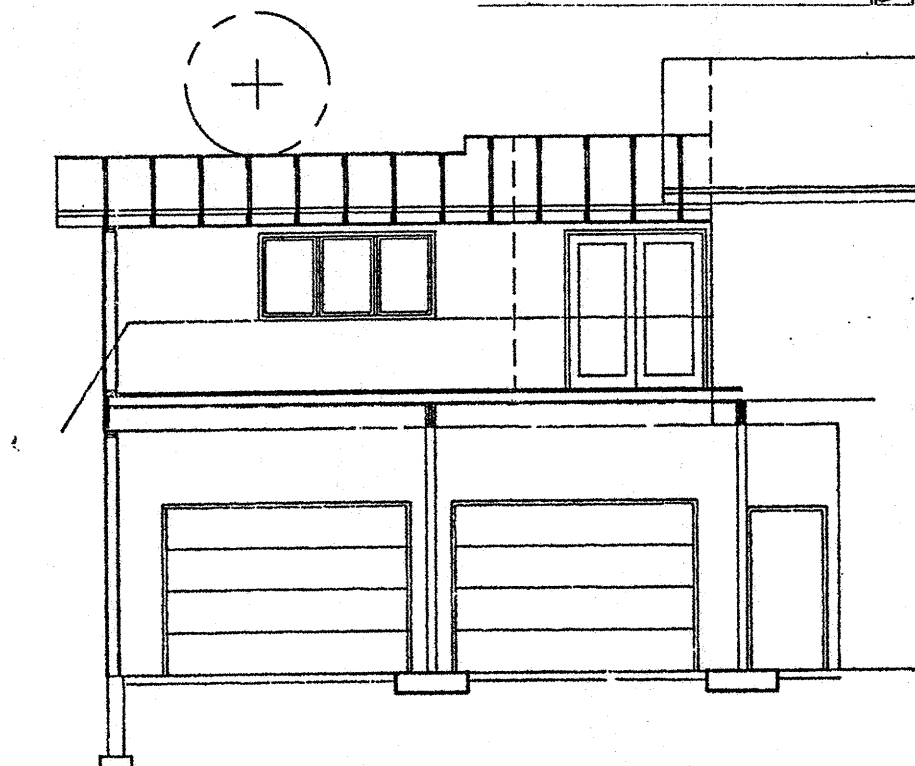
WEST ELEVATION



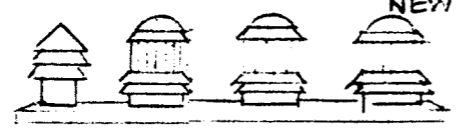
SOUTH ELEVATION



BUILDING SECTION A - A



BUILDING SECTION B - B



PROVIDE VERTICALS @ TRUSS
 PANEL POINTS, OLD EXT. WALL &
 NEW RIDGE

SIMPSON OR EQUAL 1 1/2"
 STRAP TIES EA. RIDGE RAFTER

REMOVE EXIST. ROOFING
 FROM RIDGE TO WALL.

NEW SHINGLES (REUSE
 EXIST. IF PERMANENT
 TYPE). - MATCH EXIST.

CUT

2x6 @ 16" OC
 EXIST. SHEATH'G.

EXIST. ROOF FRAMING
 (NO CHANGE).

2x6 @ 16" OC

PANEL POINT*

2x6 STUD WALLS 16" OC
 1/2" PLYWOOD SHEATH'G
 OR O.S.B. SHEATHING
 MATCH EXIST. SIDING
 R-19 INSULATION

RELOCATE
 DOORS ON NEW
 WEST WALL

REMOVE EXIST.
 OVERHANG. PROVIDE
 2x LEDGER UNDER
 PLYWOOD CUT. NAIL EA
 W/B-d @ 6" OC.

1/4" GWB CEILING
 & WALLS.

SECOND FLOOR

NOTE: DO NOT CUT ANY TRUSS MEMBER.

PROVIDE HURRICANE CLIPS
 RAFTERS TO WALL PLATES &
 VERTICALS; & 2x6 PLATE @
 OLD RIDGE.

SECURE NEW EXTERIOR
 WALL PLATES TO FRAMING
 BELOW.

NEW WINDOWS & DOORS
 AS SELECTED BY OWNER

WEST SECTION/ELEVATION
 SCALE: 1/4" = 1'-0"

* NOTE: EXIST. ROOF TRUSSES PANEL POINTS MAY BE DIFFERENT
 FROM SHOWN; PLACE VERTICALS @ PANEL POINTS, WALL & RIDGE.

THOR T. OSBO
ARCHITECT
 10546 - 23rd AVE. N.E.
 SEATTLE, WA 98125

27 FEBRUARY 1995